

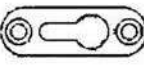

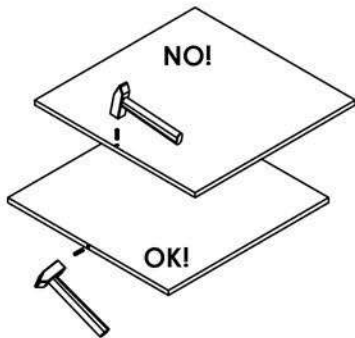
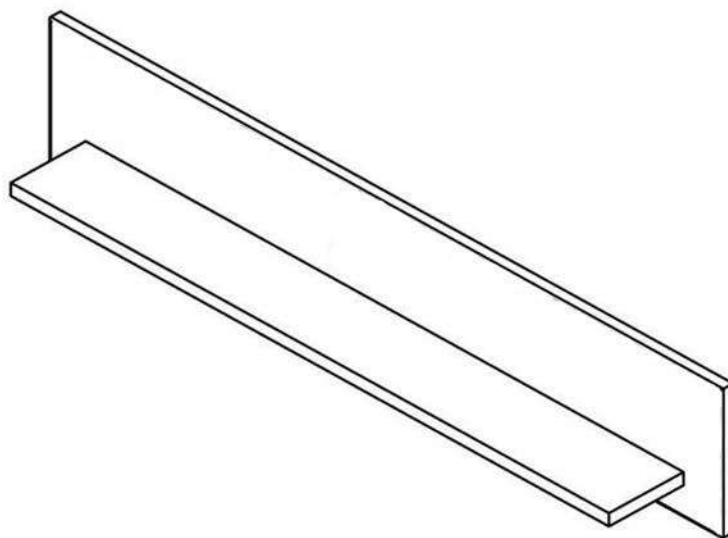
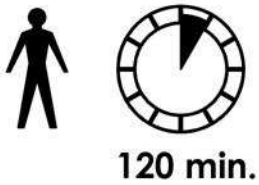
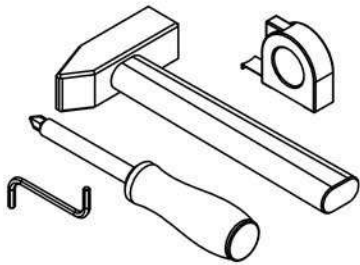
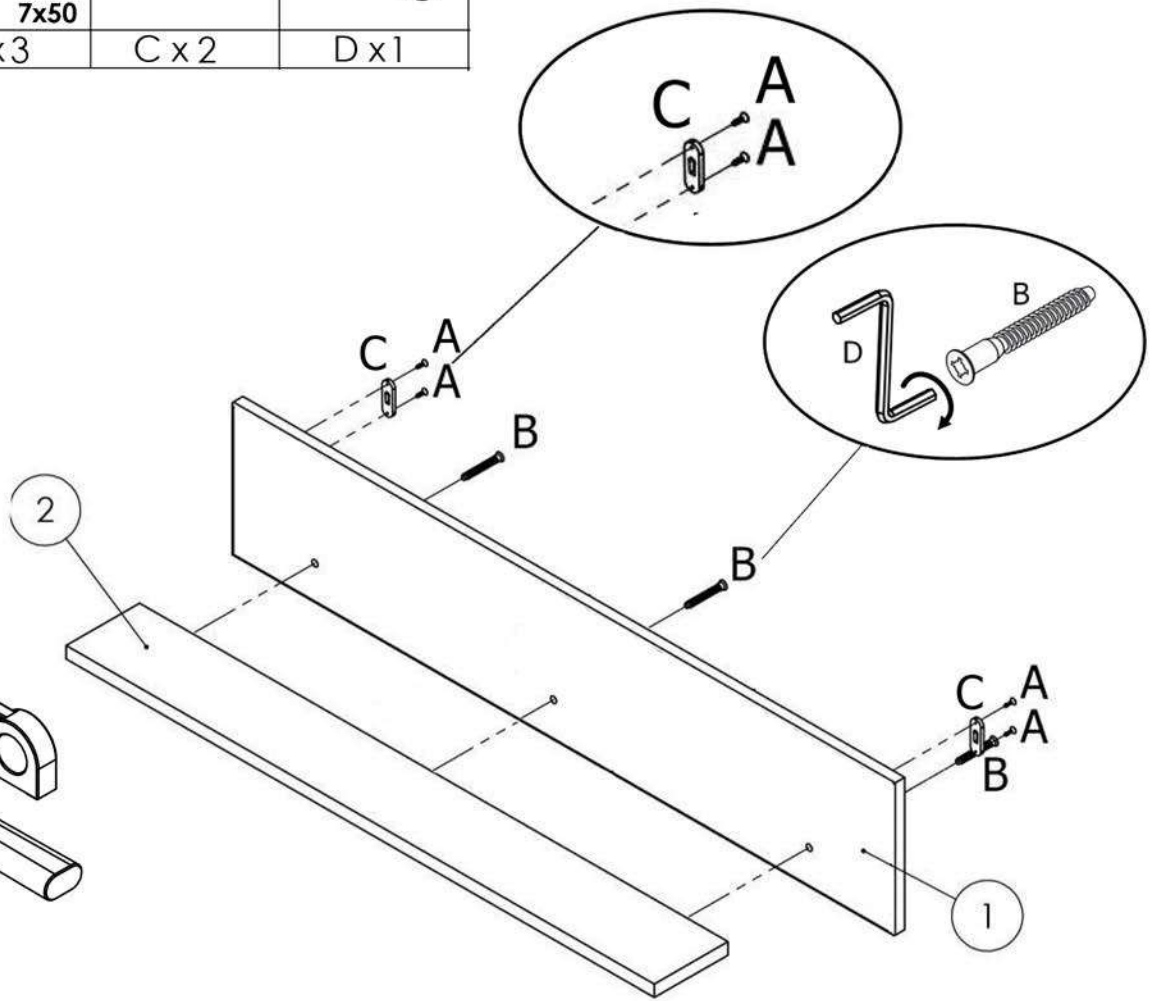


SHELF AMIRA

Art. code 118 23 359

26.07.2024

 3.5x13 A x 4	 7x50 B x 3	 C x 2	 D x 1
---	--	--	--



"BOPITA"
LION INTERNATIONAL B.V.
ENERGIEWEG 1
6662 NS ELST GLD
NEDERLAND
www.bopita.com

